

FL SWITCH 1108 REG - Industrial Ethernet Switch



1473643

<https://www.phoenixcontact.com/pc/products/1473643>

Please be informed that the data shown in this PDF document is generated from our online catalog. Please find the complete data in the user documentation. Our general terms of use for downloads are valid.



Unmanaged Switch 1000 REG, 8 RJ45 port 10/100/1000 Mbps, REG design in accordance with DIN 43880

Product description

8-port Ethernet switch for building installation in REG format. Four RJ45 ports both above and below the touch protection cover.

Your advantages

- REG design in accordance with DIN 43880
- Auto negotiation
- Autocrossing

Commercial data

Item number	1473643
Packing unit	1 pc
Minimum order quantity	1 pc
Product key	DNN412
GTIN	4063151884093
Weight per piece (including packing)	275 g
Weight per piece (excluding packing)	196 g
Customs tariff number	85176200
Country of origin	TW

FL SWITCH 1108 REG - Industrial Ethernet Switch

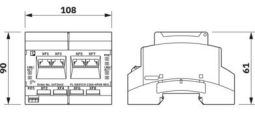


1473643

<https://www.phoenixcontact.com/pc/products/1473643>

Technical data

Dimensions

Dimensional drawing	
Width	108 mm
Height	90 mm
Depth	62 mm
Note on dimensions	6 HP

Notes

General	Support by phone or on-site (fee is charged)
---------	--

Material specifications

Housing material	PC (polycarbonate)
------------------	--------------------

Mounting

Mounting type	DIN rail mounting
---------------	-------------------

Interfaces

Ethernet

Number of interfaces	8
Connection method	RJ45
Note on the connection method	Auto negotiation and autocrossing
Transmission speed	10/100/1000 Mbps
Transmission physics	Ethernet RJ45
Transmission length	100 m (per segment)
Signal LEDs	LNK/ACT
No. of channels	8 (RJ45 port)

Product properties

Product type	Switch
Product family	Unmanaged Switch 1000 REG
Type	Stand-Alone
MTTF	1432 Years (MIL-HDBK-217F standard, temperature 25°C, operating cycle 100%)
	615.6 Years (SN 29500 standard, temperature 40°C, operating cycle 34.25%)
	163.3 Years (SN 29500 standard, temperature: 50°C, operating cycle: 100%)
Special properties	REG design in accordance with DIN 43880

FL SWITCH 1108 REG - Industrial Ethernet Switch



1473643

<https://www.phoenixcontact.com/pc/products/1473643>

Signal delay	Store and Forward mode, 10/100 Mbps, depending on the frame size
Switch functions	
Basic functions	Unmanaged switch
	Autonegotiation
	Store and Forward switching mode
Status and diagnostic indicators	LEDs: US1, Link, and Activity
Security functions	
Basic functions	Unmanaged switch
	Autonegotiation
	Store and Forward switching mode

Electrical properties

Local diagnostics	US Supply voltage Green LED
	LNK/ACT Link status/data transmission Green LED
Maximum power dissipation for nominal condition	4 W
Test voltage	500 V DC
Test section	Between the Ethernet ports 1500 V AC 1 min.
	24 V supply (US) / FE 500 V DC 1 min.
Transmission medium	Copper
Supply	
Supply voltage (DC)	24 V DC
Supply voltage (AC)	24 V AC (50/60 Hz)
Supply voltage range	9 V DC ... 32 V DC
	12 V AC ... 30 V AC
Max. current consumption	0.45 A (at U_s = minimum, data transmission 1 Gbps, for AC and DC)

Connection data

Connection method	Spring-cage connection
Conductor cross section, rigid	0.2 mm ² ... 1.5 mm ²
Conductor cross section, flexible	0.5 mm ² ... 1.5 mm ²

Environmental and real-life conditions

Ambient conditions

Degree of protection	IP20
Ambient temperature (operation)	5 °C ... 50 °C
Ambient temperature (storage/transport)	-40 °C ... 70 °C
Altitude	max. 2000 m
Permissible humidity (operation)	10 % ... 95 % (non-condensing)
Permissible humidity (storage/transport)	5 % ... 95 % (non-condensing)
Air pressure (operation)	86 hPa ... 108 kPa (1500 m above sea level)
Air pressure (storage/transport)	66 hPa ... 108 kPa (3500 m above sea level)

FL SWITCH 1108 REG - Industrial Ethernet Switch



1473643

<https://www.phoenixcontact.com/pc/products/1473643>

EMC data

Conformance with EMC directives	IEC 62368-1
---------------------------------	-------------

System properties

Functionality

Basic functions	Unmanaged switch
	Autonegotiation
	Store and Forward switching mode

Signaling

Status display	LEDs: US1, Link, and Activity
----------------	-------------------------------

FL SWITCH 1108 REG - Industrial Ethernet Switch

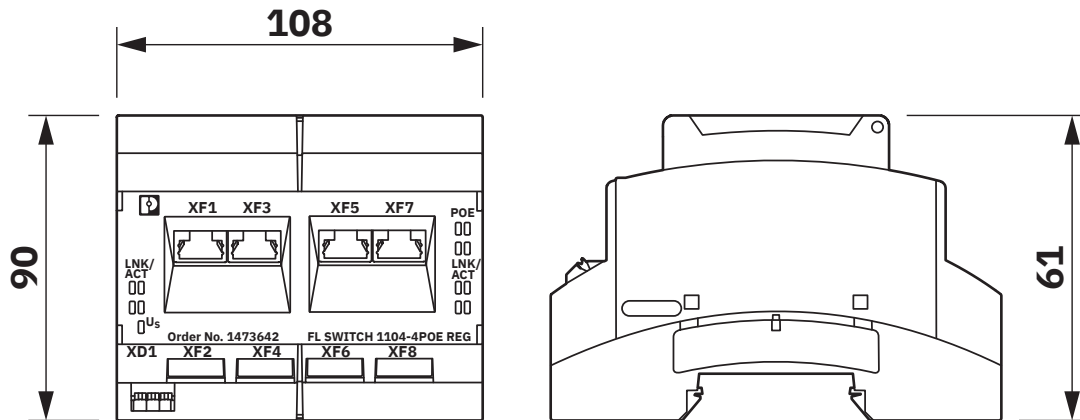


1473643

<https://www.phoenixcontact.com/pc/products/1473643>

Drawings

Dimensional drawing



FL SWITCH 1108 REG - Industrial Ethernet Switch



1473643

<https://www.phoenixcontact.com/pc/products/1473643>

Classifications

ECLASS

ECLASS-11.0	19170402
ECLASS-12.0	19170402
ECLASS-13.0	19170402

ETIM

ETIM 8.0	EC000734
----------	----------

1473643

<https://www.phoenixcontact.com/pc/products/1473643>

Environmental product compliance

EU RoHS

Fulfills EU RoHS substance requirements	Yes
Exemption	7(a), 7(c)-I

China RoHS

Environment friendly use period (EFUP)	EFUP-50
	An article-related China RoHS declaration table can be found in the download area for the respective article under "Manufacturer declaration". For all articles with EFUP-E, no China RoHS declaration table issued and required.

EU REACH SVHC

REACH candidate substance (CAS No.)	Lead(CAS: 7439-92-1)
-------------------------------------	----------------------

FL SWITCH 1108 REG - Industrial Ethernet Switch



1473643

<https://www.phoenixcontact.com/pc/products/1473643>

Accessories

DT-LAN-CAT.6+ - Surge protection device

2881007

<https://www.phoenixcontact.com/pc/products/2881007>



Surge protection in accordance with Class E_A (CAT6_A), for Gigabit Ethernet (up to 10 Gbps), token ring, FDDI/CDDI, ISDN, and DS1. Suitable for Power over Ethernet (PoE++ / 4PPoE) "Mode A" and "Mode B". RJ45 attachment plug with separate grounding cable and ground connection snap-on foot for NS 35 DIN rails.

FL CAT5 PATCH 0,5 - Patch cable

2832263

<https://www.phoenixcontact.com/pc/products/2832263>



Patch cable, CAT5, assembled, 0.5 m

FL SWITCH 1108 REG - Industrial Ethernet Switch



1473643

<https://www.phoenixcontact.com/pc/products/1473643>

FL CAT5 PATCH 1,0 - Patch cable

2832276

<https://www.phoenixcontact.com/pc/products/2832276>

Patch cable, CAT5, assembled, 1 m



FL CAT5 PATCH 2,0 - Patch cable

2832289

<https://www.phoenixcontact.com/pc/products/2832289>

Patch cable, CAT5, assembled, 2 m



FL SWITCH 1108 REG - Industrial Ethernet Switch



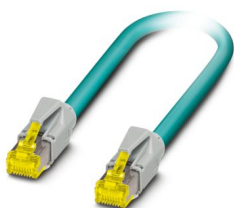
1473643

<https://www.phoenixcontact.com/pc/products/1473643>

NBC-R4AC-R4AC-IE8A/.../... - Patch cable

1411854

<https://www.phoenixcontact.com/pc/products/1411854>

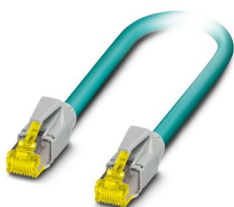


Patch cable, degree of protection: IP20, number of positions: 8, 10 Gbps, CAT6_A, cable outlet: straight, Ethernet

NBC-R4AC/10G-R4AC/10G-94F/2,0 - Patch cable

1408360

<https://www.phoenixcontact.com/pc/products/1408360>



Patch cable, CAT6_A, 4-pair, shielded, connection not crossed (line), assembled at both ends with RJ45/IP20 connectors, outer sheath material: PUR, length: 2.0 m

FL SWITCH 1108 REG - Industrial Ethernet Switch



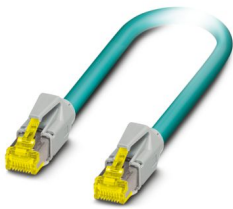
1473643

<https://www.phoenixcontact.com/pc/products/1473643>

NBC-R4AC/10G-R4AC/10G-94F/3,0 - Patch cable

1408365

<https://www.phoenixcontact.com/pc/products/1408365>

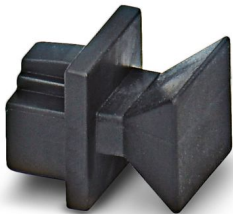


Patch cable, CAT6_A, 4-pair, shielded, connection not crossed (line), assembled at both ends with RJ45/IP20 connectors, outer sheath material: PUR, length: 3.0 m

FL RJ45 PROTECT CAP - Dust protection

2832991

<https://www.phoenixcontact.com/pc/products/2832991>



Dust protection caps for RJ45 socket

FL SWITCH 1108 REG - Industrial Ethernet Switch



1473643

<https://www.phoenixcontact.com/pc/products/1473643>

STEP-PS/ 1AC/24DC/0.5 - Power supply unit

2868596

<https://www.phoenixcontact.com/pc/products/2868596>



Primary-switched STEP POWER power supply for DIN rail and direct mounting,
input: 1-phase, output: 24 V DC/0.5 A

Phoenix Contact 2024 © - all rights reserved

<https://www.phoenixcontact.com>

PHOENIX CONTACT GmbH & Co. KG

Flachsmarktstraße 8

D-32825 Blomberg

+49 (0) 5235-3 00

info@phoenixcontact.com